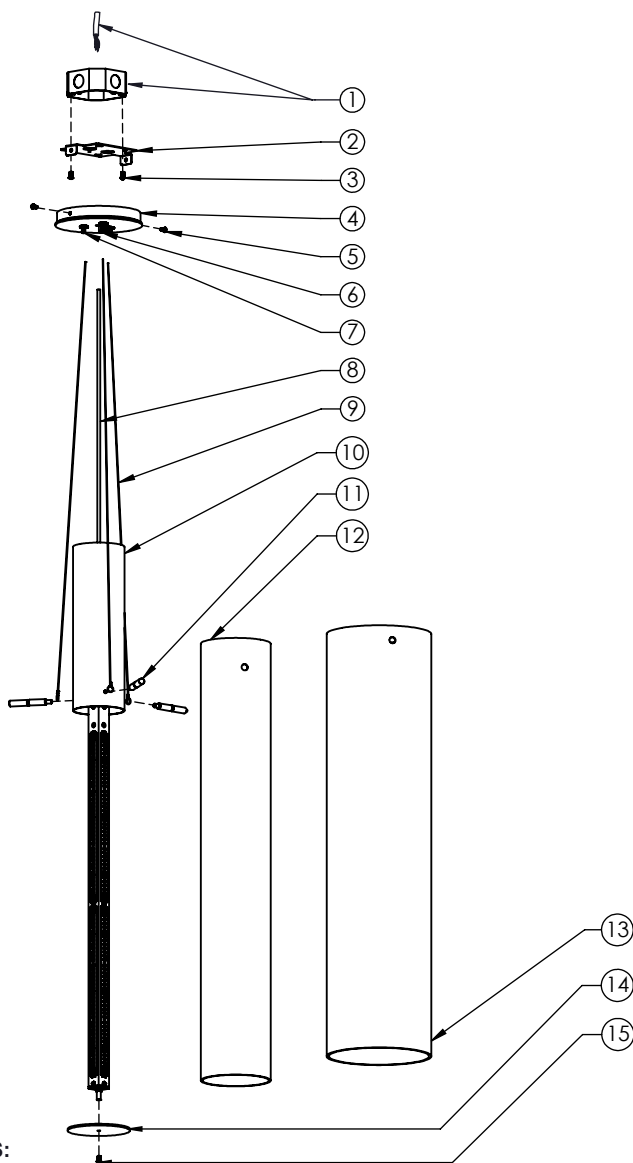
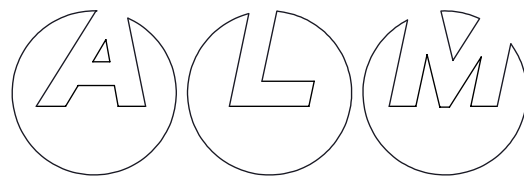


Gran Fuse

PENDANT - GENERAL LIGHT

INSTALLATION INSTRUCTIONS



NOTE - Remote driver:
- If required, installed by others
- Connect wires accordingly

NOTE:
Additional mounting hardware
provided for installation where
octagon box is not available.

1	4" Octagon box and power feed (by others)
2	Ceiling bracket
3	Mounting screws to octagon box 8-32 x 3/4" long, round head (by others)
4	Canopy assembly
5	Canopy assembly mounting screws (x2)
6	Power cord gripper
7	Adjustable cable gripper
8	Flexible power cord
9	Stainless steel aircraft cable (x3)
10	Fixture assembly
11	Decorative rod / acrylic tube support (x3)
12	Inner acrylic tube
13	Outer acrylic tube
14	Bottom acrylic disk
15	Bottom acrylic disk mounting screw

INSTRUCTIONS:

1. Unscrew canopy assembly mounting screws and remove canopy assembly from the ceiling bracket.
2. Bring the electrical power feed (by others) through hole in the ceiling bracket and secure ceiling bracket to the standard 4" octagon box (screws by others). If octagon box is not available, secure ceiling bracket to the ceiling using additional mounting hardware provided.
3. Secure bottom acrylic disk to the fixture assembly with bottom acrylic disk mounting screw provided.
4. Secure inner and outer acrylic tube to the fixture assembly with decorative rods. Slide looped end of aircraft cable on to the decorative rod while mounting the acrylic tubes. The cable loop must be located at the groove on the decorative rod.
5. Lift up assembled fixture, push the aircraft cables through the adjustable cable grippers on the canopy assembly.
6. Bring the power cord through the canopy assembly and secure with set screw provided.
7. Splice the fixture power wires and power feed as required.
Wires for connection are clearly labeled.
8. Secure canopy assembly on to the ceiling bracket using canopy assembly mounting screws provided.
9. Adjust height with adjustable aircraft cable grippers. Level the fixture.
10. Energize.

GENERAL NOTE:

- * Turn power off before beginning.
- * Do not connect to an ungrounded supply.
- * Consult a qualified electrician to ensure correct branch circuit conductor.
- * This product must be installed in accordance with the applicable installation code by a person familiar with the construction and operation of the product and the hazards involved.
- * Save these instructions.